

## STRATOS CF AztecMonster Use`s Manual

This card is suitable for converting CF memory card to General 3.5inc SCSI interface.

This is the precision part, so you should take carefully and must read this manual with good understanding, in order to use this card correctly. This is sensitive to static electricity. You must handle away from it.

If you had a defactive card, we exchange it.

Escape clause:

---Committing a mistake or an irregular action.

---Broken from disaster.

---Dropping down or sinking under water.

---Failure with misunderstanding this manual discription.

If you have a question, please mail to us:

support@artmix.com

### A Specific Limitation

This item converts PIO-4, MultiWord mode 2, or UltraDMA mode 2 CF memory card to SCSI-3 (upper compatible). The limitation of CF memory volume is 128GB. Type I/II memory card is adaptable. This is not available for Network card.

This card does not have function of HOT SWAP; which of exchange for another card in turning on the power.

For 2.5inc note SCSI (2mm pitch 50pin interface), you must select STRATOS CF PowerMonster.

### Assembling screws and nuts

Assemble screws and nuts accorging to the picture #6. This card must be fixed by black screws. This card has two measures of hole position, for perpendicular and horizontal position.

### Jumper setting

Jumper setting must be taken care of static electricity and be made sure of power shutting off.

The function is the following:

J4 jumper is SCSI ID and active terminator setting, refer to picture #2.

J6 jumper is access LED. #1 pin is GND and #2 pin is LED anode. Connctor is JST PHR-2.

J5 is general HDD power connector. #1pin is 12V, #2, 3 pin are GND, and #4 5V. This card has no connection of #4pin 12V.

J3 is general 50pins SCSI connector. The function is the picture #3.

J2 is CF memory card connector. CF card must slot right side up, polar key side is down. Do not insert wrong direction.

### About Mac OS

Generally, Macintosh OS requires formatting software, FWB HDT, Silverlining, or Drive7, to initialize 3rd party SCSI HD. (No available for Drive Setup by Apple Computer.) It is important that HD format has applicablity to Mac OS version.

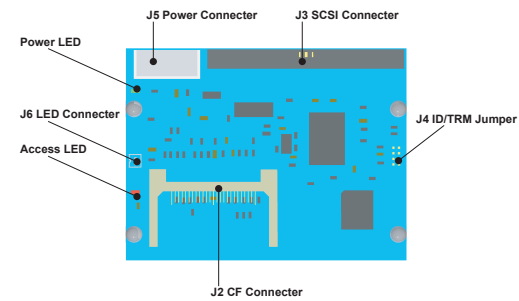
Caused by the specification of Mac OS, HDD volume may have limit, for example 2G limit on Mac OS 7.1 or 4G limit on Mac OS 7.5. In case, apply formatting software to partition drive. In detail, refer to the software manual.

### About MacPlus

Mac Plus does not boot from this card normally. You must cut #40pin RST fuction from flat cable. CF card volume is recommended under 2GB.

### About AKAI sampler

AKAI sampler, such as MPC60 w/SCSI interface, may behave unusally. It must cause of old SCSI interface chip. You should cancel active terminator of this card and add external terminator if you needed.

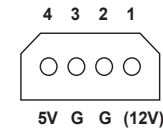


Picture 1

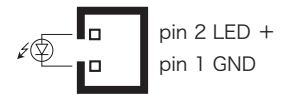
	SCSI ID							TRM		
	0	1	2	3	4	5	6	7	ON	OFF
1										○
2					○	○	○			
4			○	○			○	○		
T		○		○			○			

Picture 2 J4 Setting

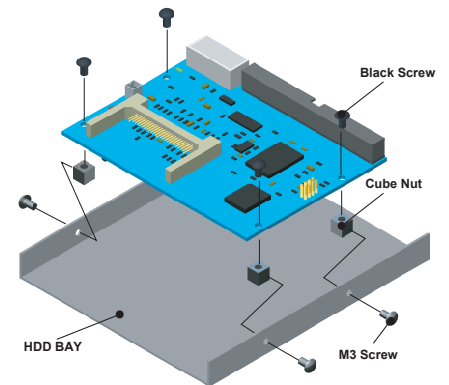
Picture 3 SCSI Pin Function



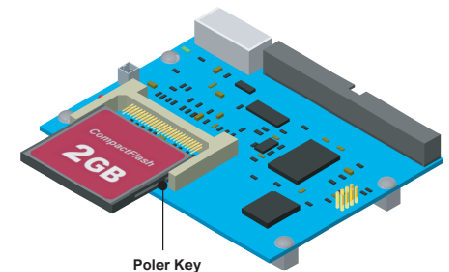
Picture 4 Power Connector Function



Picture 5 LED Connector Function



Picture 6 Assemble Screws and Nuts



Picture 7 Slot CF Card

Device	Type I/II CF memory Card
Host Interface	UltraSCSI-3
Size w/o CF card	101 X 76 X 11 mm
Size w/CF Card	101 X 88 X 11 mm
Weight	50 g (w/o CF Card)
Power Voltage	DC 5 V +/- 5%
Power Current	300 mA (w/o CF Card)
Attachment	Cube spacer nuts 3mm screw, 2mm Jumper

Picture 8 Specification